



GAI-TRONICS®  
A HUBBELL COMPANY

# Model 231-001 Pole Mounting Kit

## Confidentiality Notice

This manual is provided solely as an operational, installation, and maintenance guide and contains sensitive business and technical information that is confidential and proprietary to GAI-Tronics. GAI-Tronics retains all intellectual property and other rights in or to the information contained herein, and such information may only be used in connection with the operation of your GAI-Tronics product or system. This manual may not be disclosed in any form, in whole or in part, directly or indirectly, to any third party.

## General Information

This kit is for use with GAI-Tronics weatherproof enclosures measuring 8 × 9.5 inches.

## Bracket Mounting Procedure

Mount the bracket 54 inches (recommended height) from the floor to the centerline of the bracket. The universal bands are capable of securing the bracket to poles between 2.5 and 15 inches in diameter. For additional support when using wood poles, use 3/8-inch or 1/2-inch lug bolts with washers (not included).

### Installing the Band

With the screw fully retracted, slip the free end of the band through one of the outer slots in the rear of the bracket. Be sure that the clamp is positioned with the bolt head opposite the outer slot to allow for clearance. See Figure 1.

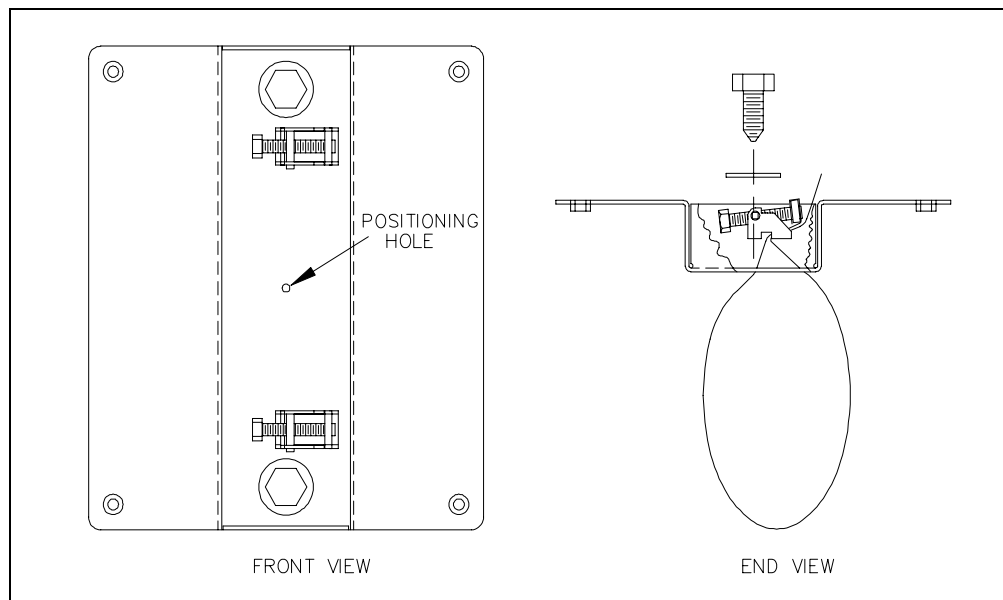


Figure 1. Installing the Band

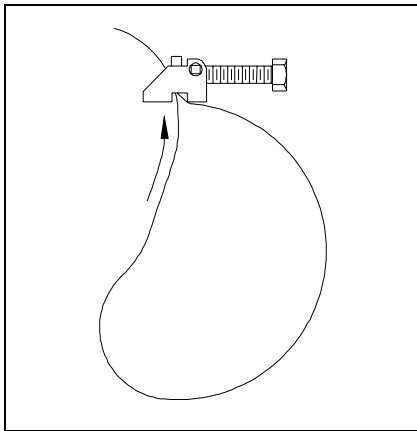


Figure 2. Installing the Band

Put the band around the pole and back through the center slot in the bracket, then through the clamp. See Figure 2.

### Tightening the Band

Pull the band tight, and maintain the tension while tightening the bolt. See Figure 3.

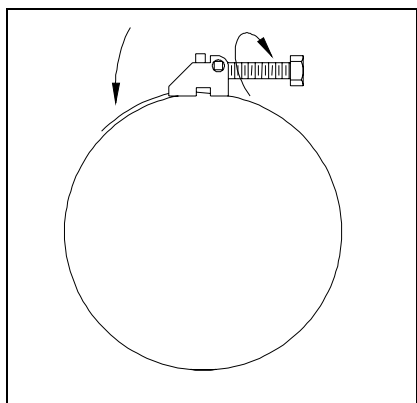


Figure 3. Tightening the Band

### Removing the Band

Loosen the bolt to the fully retracted position. Press down on the bolt, and feed the loose end of the strap back through the slots. See Figure 4.

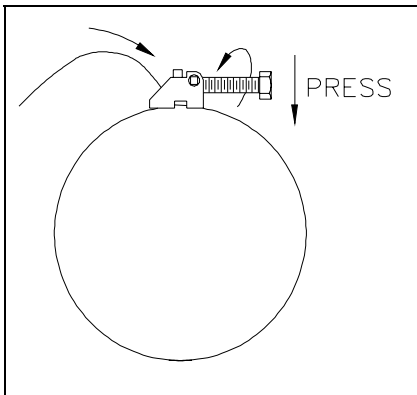


Figure 4. Removing the Band

### Mounting the Enclosure

**NOTE:** The following steps should be completed only after the bracket has been mounted to the pole.

1. Loosen the four captive screws, and swing the front door open to the left. Disconnect any cables or connectors, and pull the front assembly unit away from the rear enclosure. If the unit is equipped with hinges, remove them by pulling them out of the rear enclosure holes.
2. Mount the rear enclosure to the bracket using the Phillips Fillister head 1/4-20 by 1/2-inch machine screws. Refer to Figure 5.
3. Replace the front assembly, and reconnect all the cables. Tighten the four outer screws.

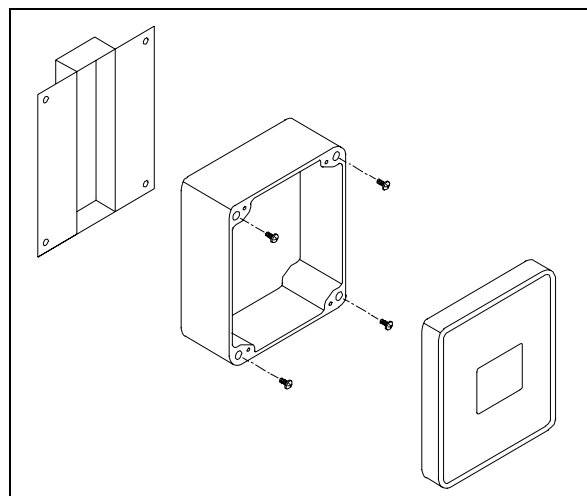


Figure 5. Mounting the Enclosure

# Warranty

---

Equipment. GAI-Tronics warrants for a period of one (1) year from the date of shipment, that any GAI-Tronics equipment supplied hereunder shall be free of defects in material and workmanship, shall comply with the then-current product specifications and product literature, and if applicable, shall be fit for the purpose specified in the agreed-upon quotation or proposal document. If (a) Seller's goods prove to be defective in workmanship and/or material under normal and proper usage, or unfit for the purpose specified and agreed upon, and (b) Buyer's claim is made within the warranty period set forth above, Buyer may return such goods to GAI-Tronics' nearest depot repair facility, freight prepaid, at which time they will be repaired or replaced, at Seller's option, without charge to Buyer. Repair or replacement shall be Buyer's sole and exclusive remedy. The warranty period on any repaired or replacement equipment shall be the greater of the ninety (90) day repair warranty or one (1) year from the date the original equipment was shipped. In no event shall GAI-Tronics warranty obligations with respect to equipment exceed 100% of the total cost of the equipment supplied hereunder. Buyer may also be entitled to the manufacturer's warranty on any third-party goods supplied by GAI-Tronics hereunder. The applicability of any such third-party warranty will be determined by GAI-Tronics.

Services. Any services GAI-Tronics provides hereunder, whether directly or through subcontractors, shall be performed in accordance with the standard of care with which such services are normally provided in the industry. If the services fail to meet the applicable industry standard, GAI-Tronics will re-perform such services at no cost to buyer to correct said deficiency to Company's satisfaction provided any and all issues are identified prior to the demobilization of the Contractor's personnel from the work site. Re-performance of services shall be Buyer's sole and exclusive remedy, and in no event shall GAI-Tronics warranty obligations with respect to services exceed 100% of the total cost of the services provided hereunder.

Warranty Periods. Every claim by Buyer alleging a defect in the goods and/or services provided hereunder shall be deemed waived unless such claim is made in writing within the applicable warranty periods as set forth above. Provided, however, that if the defect complained of is latent and not discoverable within the above warranty periods, every claim arising on account of such latent defect shall be deemed waived unless it is made in writing within a reasonable time after such latent defect is or should have been discovered by Buyer.

Limitations / Exclusions. The warranties herein shall not apply to, and GAI-Tronics shall not be responsible for, any damage to the goods or failure of the services supplied hereunder, to the extent caused by Buyer's neglect, failure to follow operational and maintenance procedures provided with the equipment, or the use of technicians not specifically authorized by GAI-Tronics to maintain or service the equipment. **THE WARRANTIES AND REMEDIES CONTAINED HEREIN ARE IN LIEU OF AND EXCLUDE ALL OTHER WARRANTIES AND REMEDIES, WHETHER EXPRESS OR IMPLIED BY OPERATION OF LAW OR OTHERWISE, INCLUDING ANY WARRANTIES OF MERCHANTABILITY OR FITNESS FOR A PARTICULAR PURPOSE.**

## Return Policy

---

If the equipment requires service, contact your Regional Service Center for a return authorization number (RA#). Equipment should be shipped prepaid to GAI-Tronics with a return authorization number and a purchase order number. If the equipment is under warranty, repairs or a replacement will be made in accordance with the warranty policy set forth above. Please include a written explanation of all defects to assist our technicians in their troubleshooting efforts.

Call 800-492-1212 (inside the USA) or 610-777-1374 (outside the USA) for help identifying the Regional Service Center closest to you.